



Comet COB Downlight



Comet COB Downlight 20W

We are proud to introduce our new Comet COB Downlight . The Comet COB Downlight are taking advantage of the “chip on board” COB technology, which has taken the LED development to a new turn. They are becoming more and more look and feel like the old fashion light bulbs. COB will allow the fixtures to use reflectors and lenses to make wonderful delivery of single shadow light beam. Remember how its feel when you see multiple shadows from a LED spot lights. You will not see that in the COB technology.



Product Technical Data

General Information

Adaptor	Square Ceiling Fix
Life Span	50000hr

Product Dimensions

Height	130mm
Width	136mm
Length	136mm

Light Characteristics

LED Type	Cree
Efficacy	94 lm/w
Beam Angle	25 D, 40 D
CCT	3000K,4000K,6400K
Flux	1700-2350 lm
Color Rendering Index	80

Ordering Information

Product Name	Comet COB Downlight 20V
Product Ordering # 3000K	6870-COB-3020UN
4000K	6870-COB-4020UN
6400K	6870-COB-6420UN

Electrical Characteristics

Wattage	20W
Voltage	85-265VAC
Power Factor	0.937

Pieces Per Pack	1
Packs Per Carton	50
Net Weight Per Piece	300 Grams

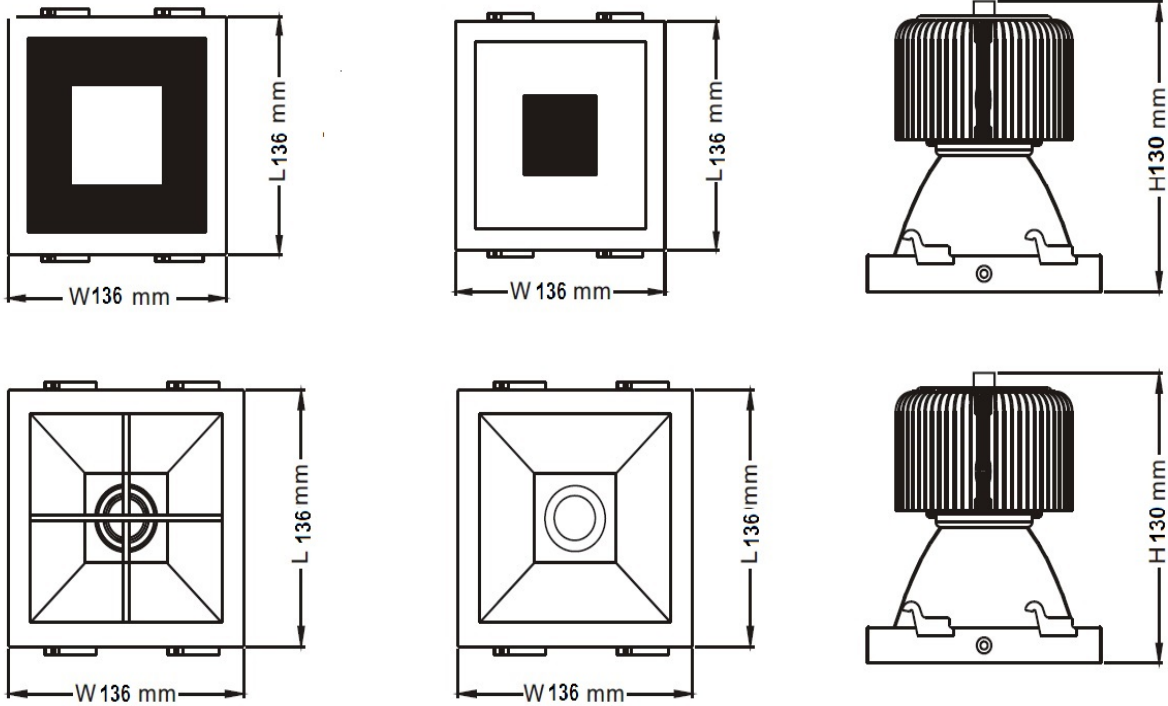
Temperature

Operating Temp.	-30(min), 65(max)C
Storage	-40(min), 65(max)C

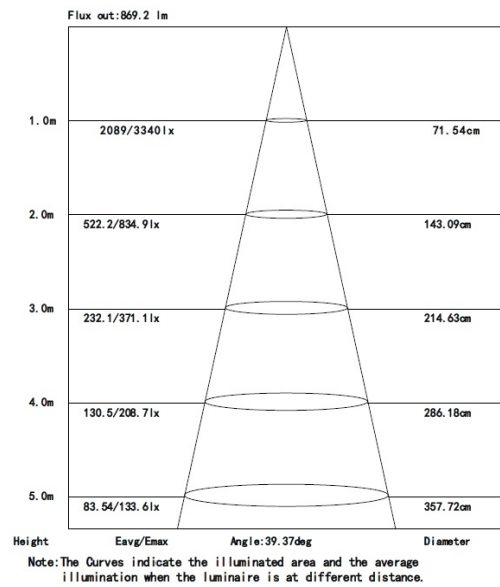
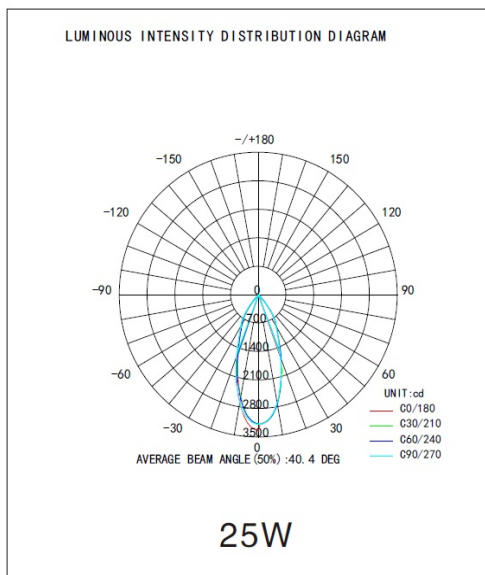
www.u-tron.com



Technical Drawing



Technical Data



www.u-tron.com



Ceiling Frames



Part Number: 6870-COB-1Frame
Size: 165x165x97.5 mm
Ceiling Cut-out: 155x155 mm



Part Number: 6870-COB-2Frame
Size: 304x165x97.5 mm
Ceiling Cut-out: 290x155 mm



Part Number: 6870-COB-3Frame
Size: 439x165x97.5 mm
Ceiling Cut-out: 425x155 mm

Ordering Part Number

Sample Number: 68DC-COB-3020UNS

